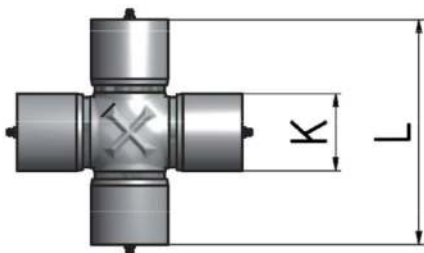
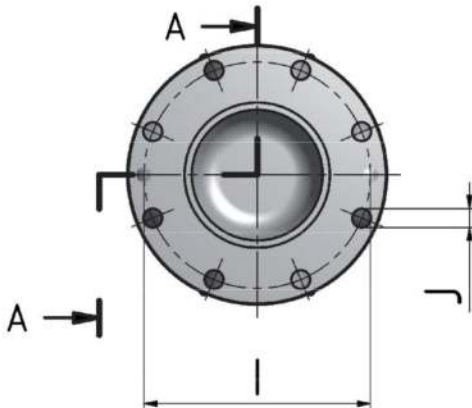
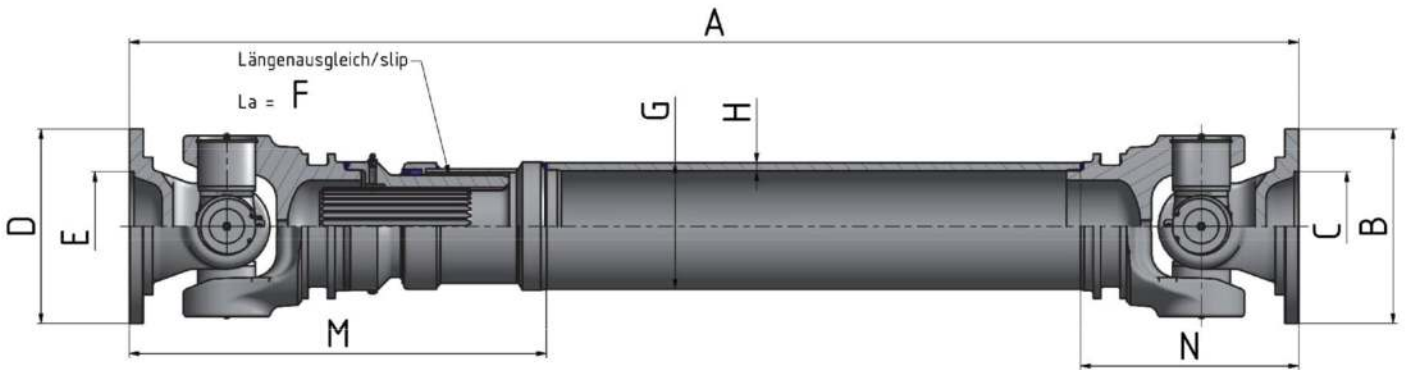


# TECHNICAL QUESTIONNAIRE CARDAN SHAFT



- A = \_\_\_\_\_
- B = \_\_\_\_\_
- C = \_\_\_\_\_
- D = \_\_\_\_\_
- E = \_\_\_\_\_
- F = \_\_\_\_\_
- G = \_\_\_\_\_
- H = \_\_\_\_\_
- I = \_\_\_\_\_
- J = \_\_\_\_\_
- K = \_\_\_\_\_
- L = \_\_\_\_\_
- M = \_\_\_\_\_
- N = \_\_\_\_\_