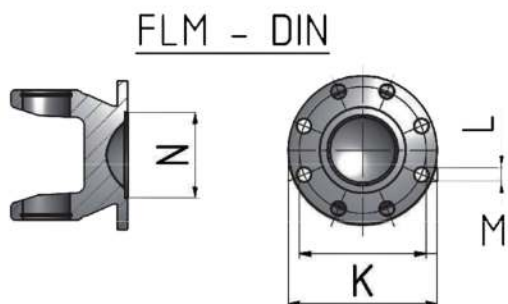
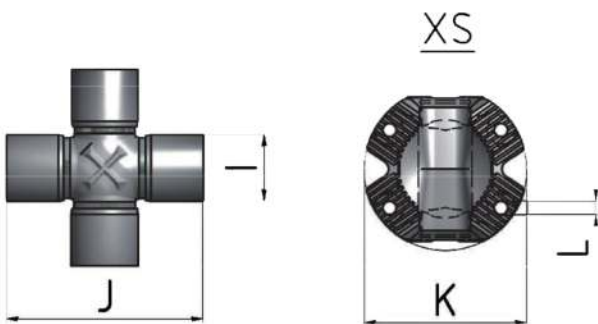
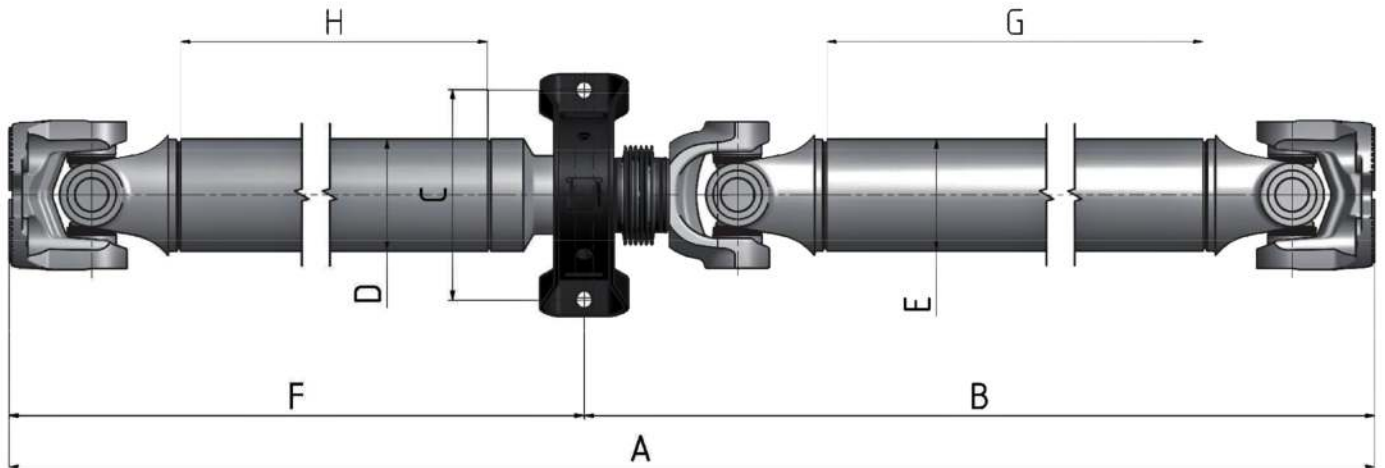


TECHNICAL QUESTIONNAIRE 2 - PIECE - CARDAN SHAFT



A = _____

B = _____

C = _____

D = _____

E = _____

F = _____

G = _____

H = _____

I = _____

J = _____

K = _____

L = _____

M = _____

N = _____